

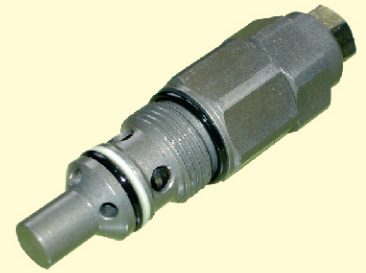


**Hidro
Pnevmo
Tehnika**

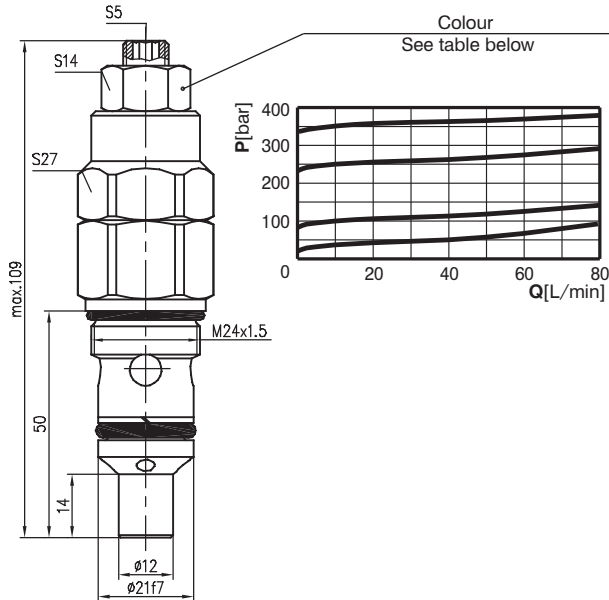
3, Vojeli St., Kazanlak, Bulgaria
Tel.: +359 431/ 62 228
Fax : +359 431/ 62 019
e-mail : info@hpt-bg.com
www.hpt-bg.com

CARTRIDGE RELIEF VALVES

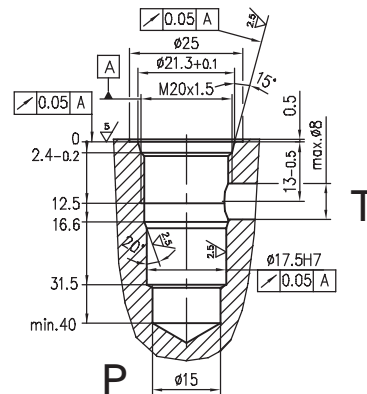
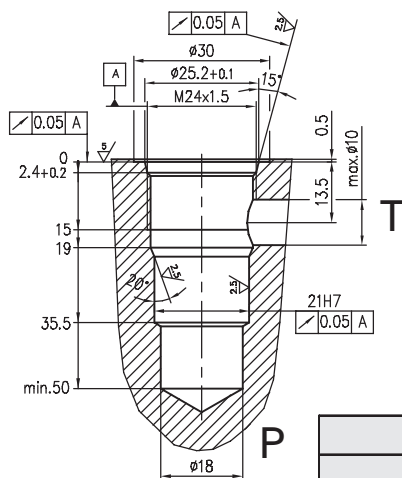
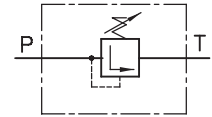
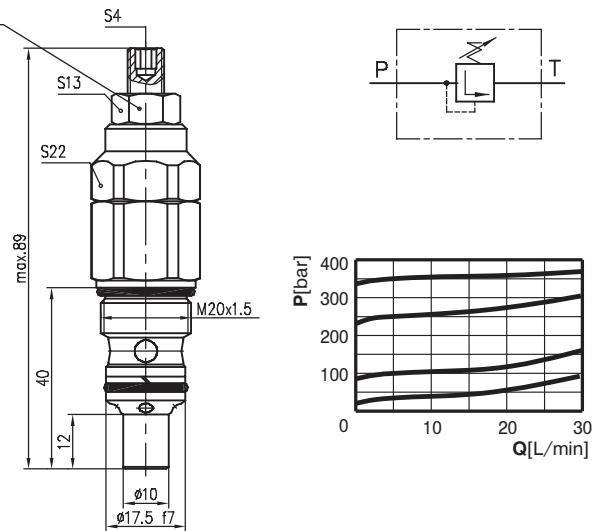
KPZ .. /



KPZ 10 / .. A



KPZ 6 / .. A



Type	P _{max.}	Q _{max.}
	bar	L/min
KPZ6/..	350	20
KPZ10/..	250	40

Pressure range			
Code	Standard setting bar (Q=5l/min)	Adj. pressure range bar	Colour
10	80	10...100	White
25	180	30...250	Yellow
35	250	70...350	Black

Code	Adjustments
A	Leakproof hex. socket screw
B	Handknob and locknut

All performances and calibrations are carried out by using hydraulic oil with viscosity approx. 46 cSt at 50°C
Temperature range: -20 °C...+80 °C. Filtration absolute: 25 µm. Tightening torque 35 N.m.

ORDERING CODE

KPZ 6 / 10 A

Type

Pressure range code: **10,25,35**

Adjustments code: **A,B**

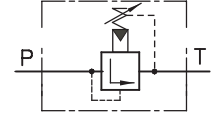
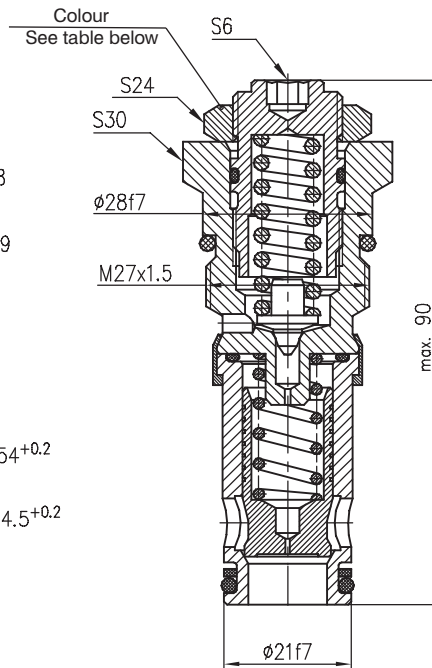
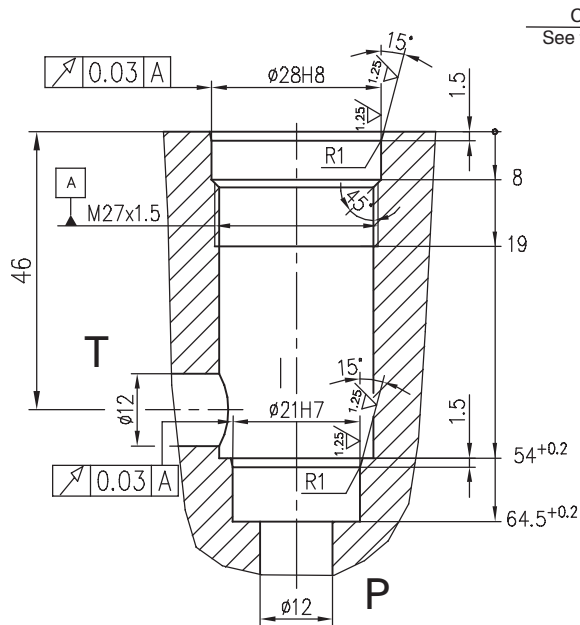
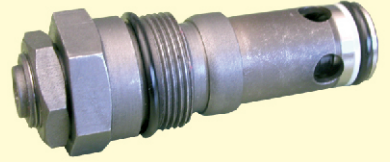


**Hidro
Pnevmo
Tehnika**

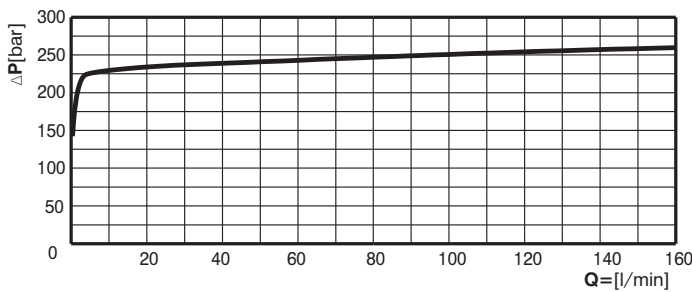
3, Vojeli St., Kazanlak, Bulgaria
Tel.: +359 431/ 62 228
Fax : +359 431/ 62 019
e-mail : info@hpt-bg.com
www.hpt-bg.com

CARTRIDGE RELIEF VALVE

KPPZ 10/..



$\Delta P=f(Q)$
46 cst oil at 50°C



Code	Adj. pressure range bar	Standard setting bar (Q=5l/min)	Q_{nom} l/min	Colour
10	5...100	80	160	White
20	15...200	180		Yellow
32	20...320	250		Black

All performances and calibration are carried out by using hydraulic oil with viscosity approx. 46 cSt at 50 °C

Temperature range: -20 °C...+80°C.

Filtration absolute: 25µm

Tightening torque 45 N.m

ORDERING CODE

KPPZ 10 / 10

Type

Pressure range code: **10,20,32**

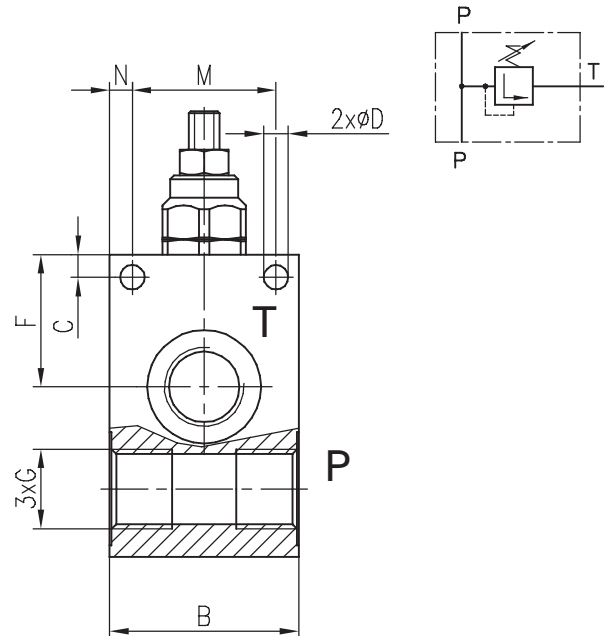
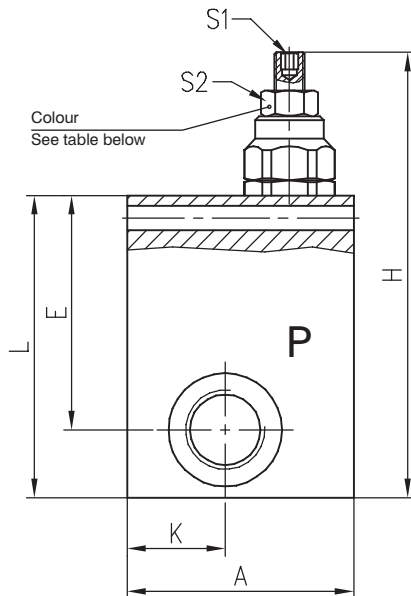
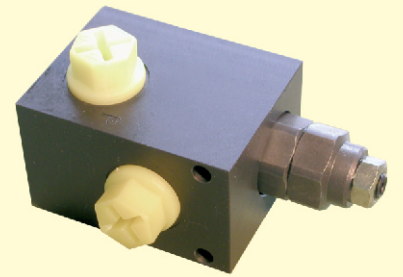


**Hidro
Pnevmo
Tehnika**

3, Vojeli St., Kazanlak, Bulgaria
Tel.: +359 431/ 62 228
Fax : +359 431/ 62 019
e-mail : info@hpt-bg.com
www.hpt-bg.com

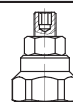
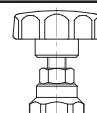
RELIEF VALVES

CPL .. / .. - .. / ..



Type	Q _{max}	G	A	B	C	H	K	L	M	N	E	F	D	S1	S2
	L/min														
CPL 40/14	40	G 1/4	50	40	8	108	20	65	32	4	47	26	5,5	4	13
CPL 40/38		G 3/8													
CPL 40/12		G 1/2													
CPL 80/12	80	G 1/2	60	50	6	135	26	80	38	6	62	35	6,5	5	17
CPL 80/34		G 3/4									60	33			

Pressure range			
Code	Standard setting bar (Q=5l/min)	Adj. pressure range bar	Colour
10	80	10...100	White
25	180	30...250	Yellow
35	250	70...350	Black

Code	Adjustments
A	Leakproof hex. socket screw 
B	Handknob and locknut 

All performances and calibrations are carried out By using hydraulic oil with viscosity approx. 46 cSt at 50 °C.
Temperature range: -20 °C...+80 °C.
Filtration absolute: 25 µm
Tightening torque 35 N.m.

ORDERING CODE

CPL 40/14-10 A

Type

Adjustments code: **A,B**

Max.Flow: **40,80**

Port threads G: **14,38,12,34**

Pressure range code: **10,25,35**

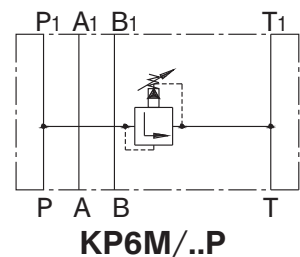
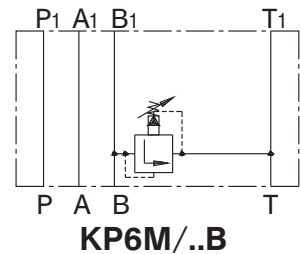
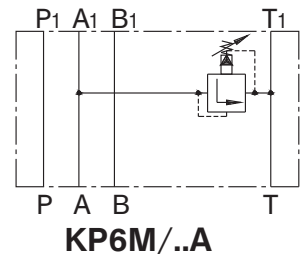
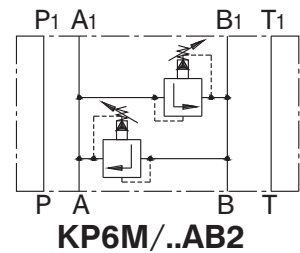
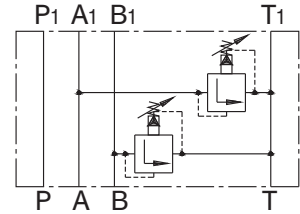
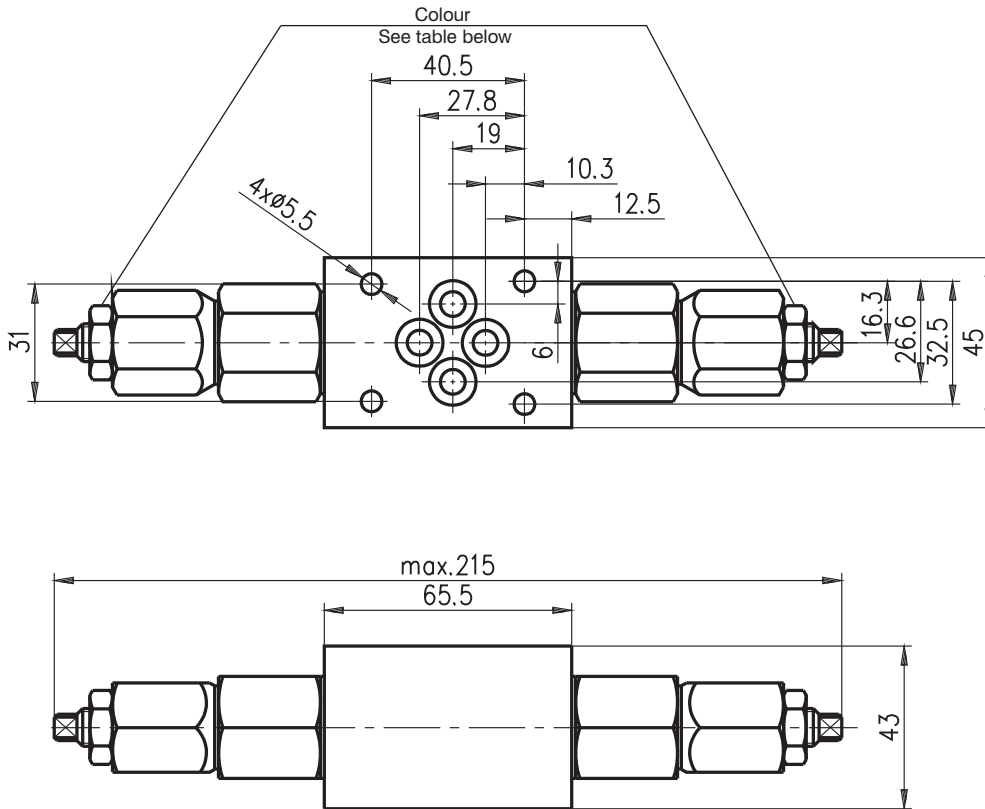
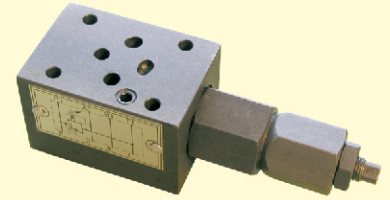


**Hidro
Pnevmo
Tehnika**

3, Vojeli St., Kazanlak, Bulgaria
Tel.: +359 431/ 62 228
Fax : +359 431/ 62 019
e-mail : info@hpt-bg.com
www.hpt-bg.com

RELIEF VALVE

KP6M/.. ..



All performances and calibration are carried out by using hydraulic oil with viscosity approx. 46 cSt at 50 °C

Temperature range: -20 °C...+80°C.

Filtration absolute: 25µm

Code	Adj. pressure range bar	Standard setting bar (Q=5l/min)	Q _{nom} l/min	Colour
10	5...100	80	20	White
20	15...200	180		Yellow
32	20...320	250		Black

ORDERING CODE

KP6M/32 AB

Type

Pressure range code: **10,20,32**

Connect relief valve at port: **A,B,AB2,P,AB**

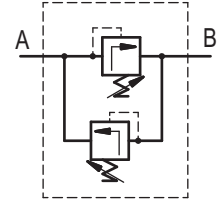
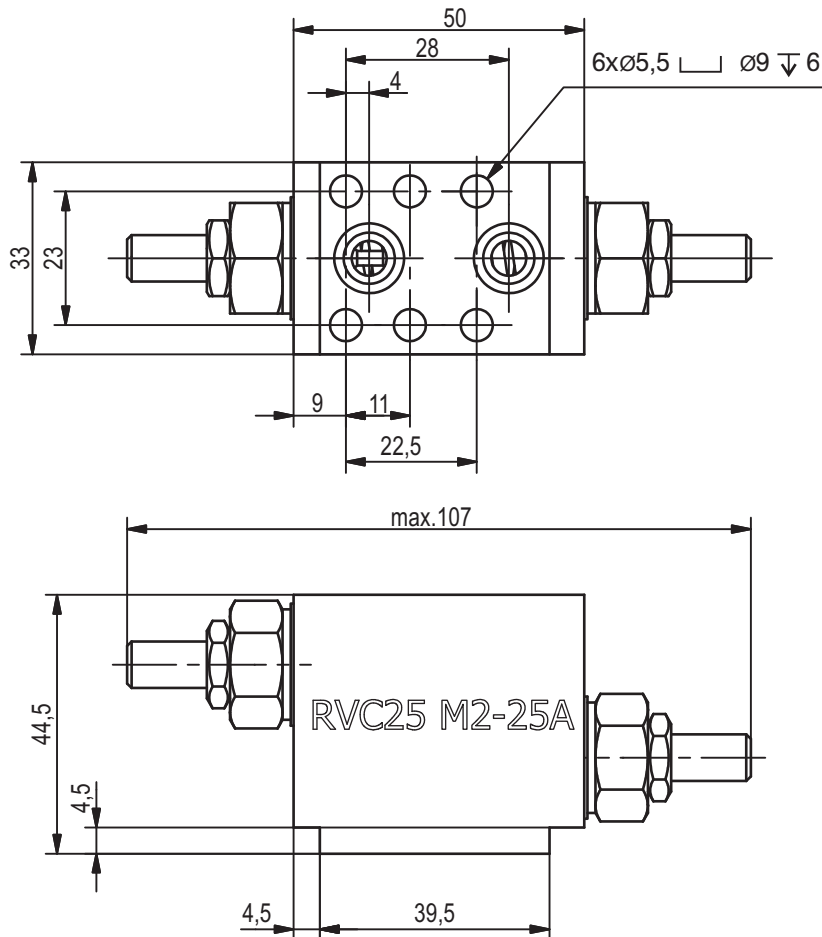
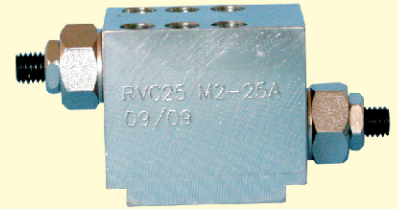



**Hidro
Pnevmo
Tehnika**

3, Vojeli St., Kazanlak, Bulgaria
 Tel.: +359 431/ 62 228
 Fax : +359 431/ 62 019
 e-mail : info@hpt-bg.com
 www.hpt-bg.com

RELIEF VALVE

RVC25 M2-25A



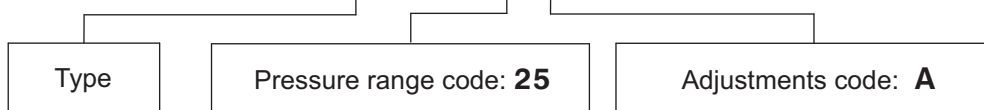
Code	Adjustments
A	Leakproof hex socket screw 

All performances and calibration are carried out by using hydraulic oil with viscosity approx 46 cSt at 50 °C
 Temperature range: -20...+80 °C
 Filtration absolute: 25 µm

Type	P _{max.}	Q _{nom.}	Standard settings
	bar	L/min	bar(Q=20 l/min.)
RVC25 M2-25A	250	20	200

ORDERING CODE

RVC25 M2 - 25 A



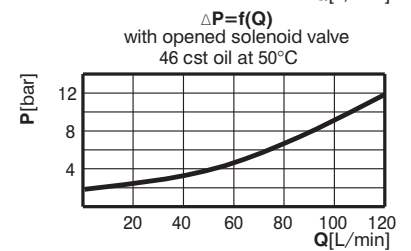
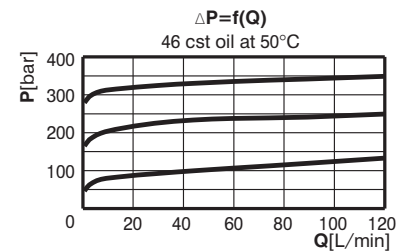
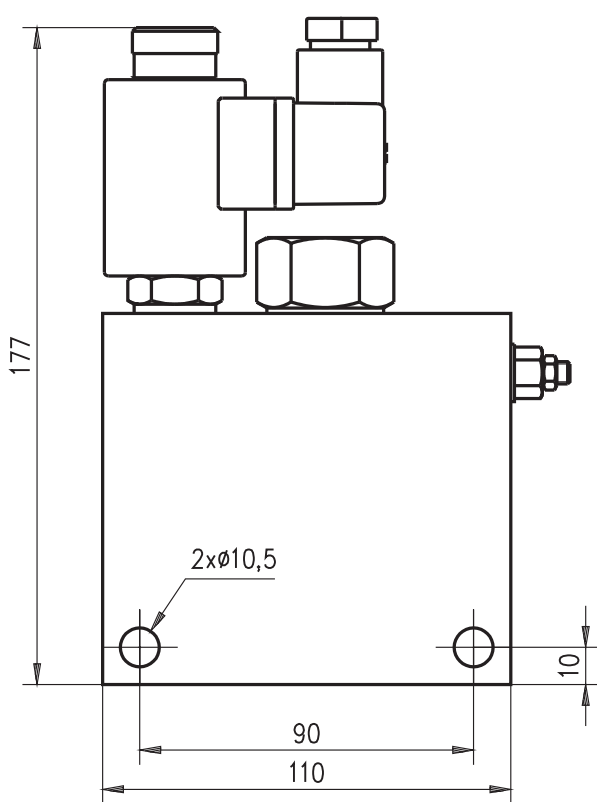
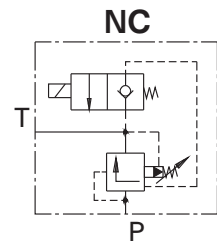
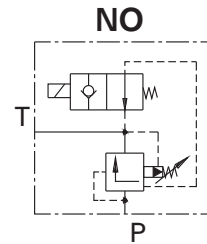
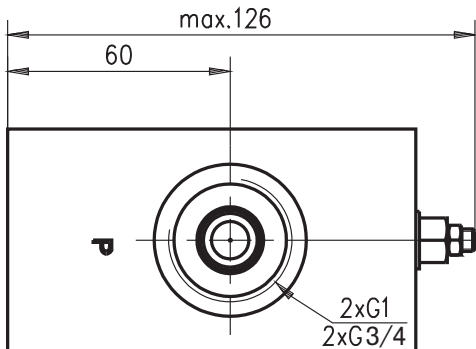
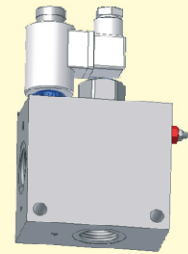


**Hidro
Pnevmo
Tehnika**

3, Vojeli St., Kazanlak, Bulgaria
Tel.: +359 431/ 62 228
Fax : +359 431/ 62 019
e-mail : info@hpt-bg.com
www.hpt-bg.com

**PILOT OPERATED
PRESSURE RELIEF VALVE
WITH ELECTRIC CONTROL**

RVE



Pressure range		
Code	Standard setting bar (Q=5l/min)	Adj. pressure range bar
10	80	10...100
25	180	30...250
35	250	70...350

All performances and calibration are carried out by using hydraulic oil with viscosity approx. 46 cSt at 50 °C. Temperature range: -20 °C...+80 °C. Filtration absolute: 25µm

ORDERING CODE

RVE 1-25 NO 24 DC

Current: **DC,AC**

Type

Nominal solenoid voltage:
12,24,110,220

Port threads G : **1,34**

Pressure range code: **10,25,35**

Solenoid valve type: **NO,NC**
(See hydraulic scheme at the top)